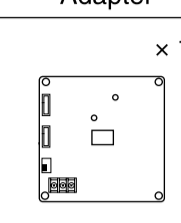
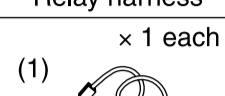



Daikin Air Conditioner

Digital inputs adapter

Installation manual BRP7A51 • 52 • 53 • 54

Accessories Check if the following accessories are included in the kit.

Adapter × 1	Relay harness × 1 each	PCB support × 4
	(1) 	Clamp × 3
	(2) 	Installation manual × 8

NOTES

- Kits vary according to applicable models.
- A special adapter fixing plate and box are required for the following models.

FFQ, FXZQ, FXD(Q)	KRP1B(A)101
FH(Y)C, FCQ-B	KRP1B98
FHYCP, FCQ-D • P, FXF(Q)-L • M	KRP1D(A)98
FCQ(N)-K, FXFQ, FCQ(H)G	KRP1H98
FHQ-B, FXH(Q)-L • M, FH(Y)(P)	KRP1C(A)93
FHQG, FHQ, FXHQ	KRP1D93A
FH(Y)C-B	KRP1C(A)98
FXC(Q)-L • M	KRP1B96
FXCQ	KRP1C96
FV(Y), FVQ	KRP4A(A)95
FBQ-D(A), FXMQ-P	KRP4A96
FXA(Q), FAQ, FAY-L	KRP4AA93
FUY, FXUQ, FUQ	KRP1B(A)97

1 SYSTEM OUTLINE

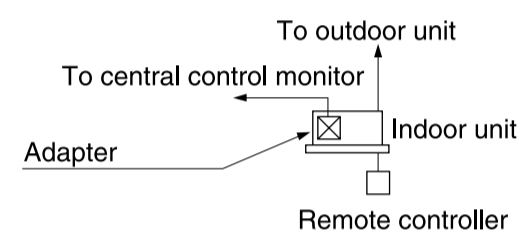
This kit enables remote control (ON/OFF control) and can be used with the following systems though it cannot be used in conjunction with other optional controllers for centralized control.

1. Individual control (Each indoor unit is controlled individually.)

This system requires the following parts.

- Adapter BRP7A51, 52, 53 or 54
- Remote controller BRC2E52C7 or BRC3E52C7 (For operation control)

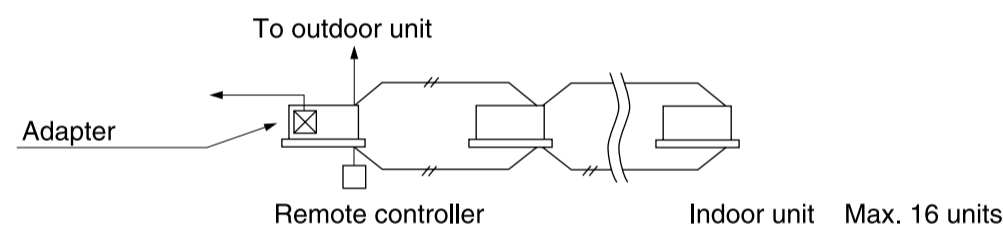
(Ex.) When individually controlling 8 FHYC71F units
BRP7A51 × 8 kits
BRC2E52C7 × 8 kits



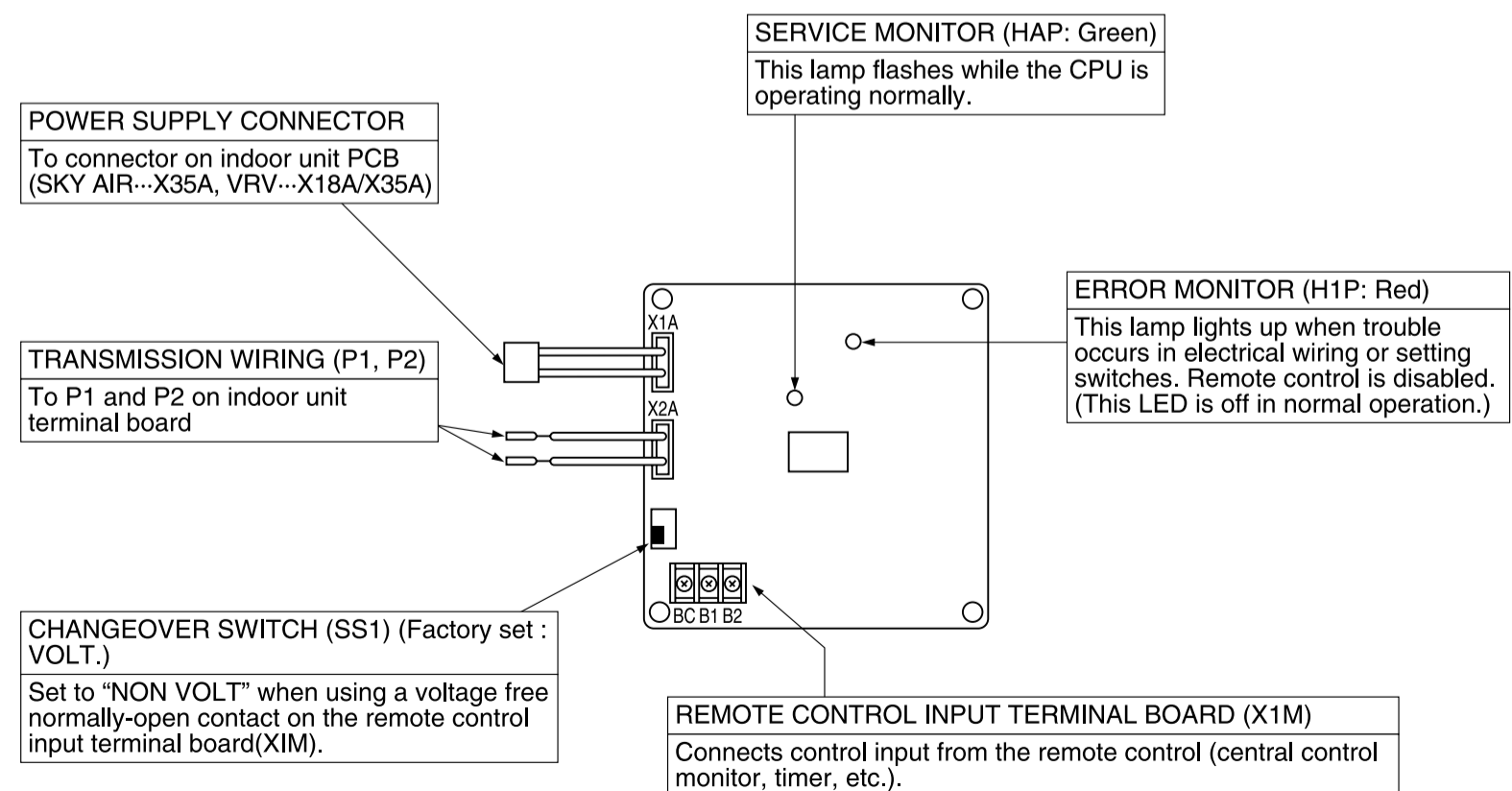
2. Group control (Multiple indoor units are controlled as a group.)

This system requires the following parts.

- Adapter BRP7A51, 52, 53 or 54
- Remote controller (For operation control) BRC2E52C7 or BRC3E52C7



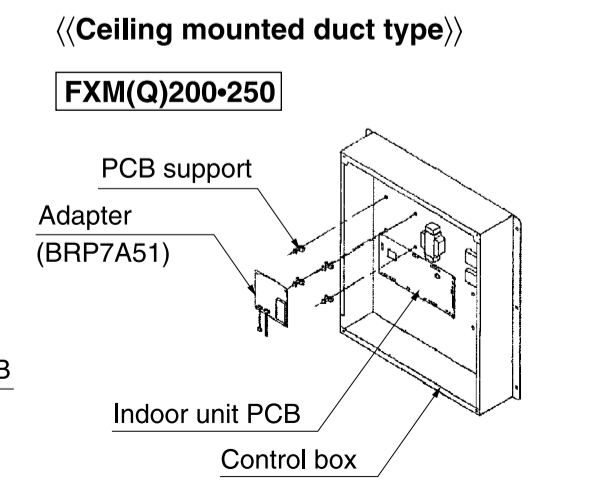
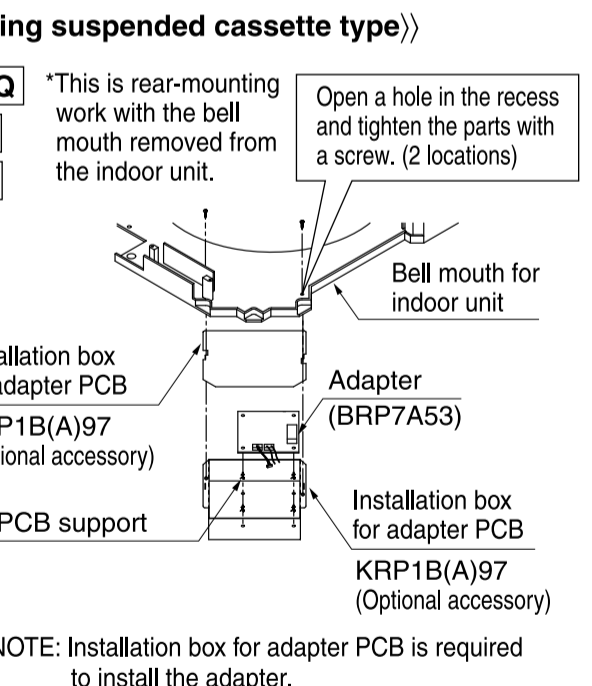
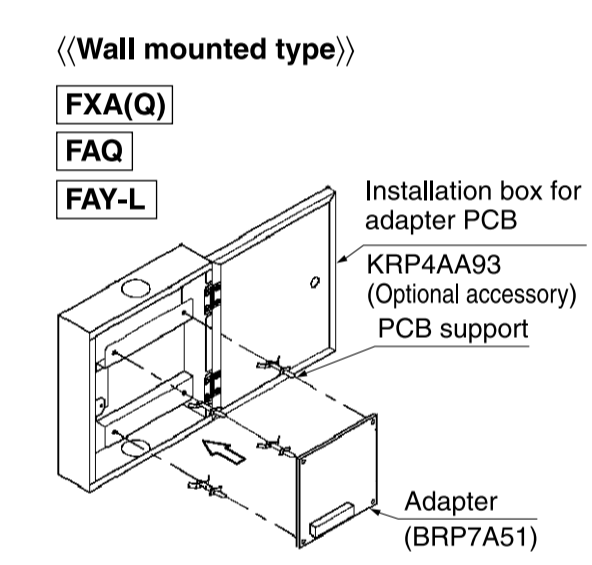
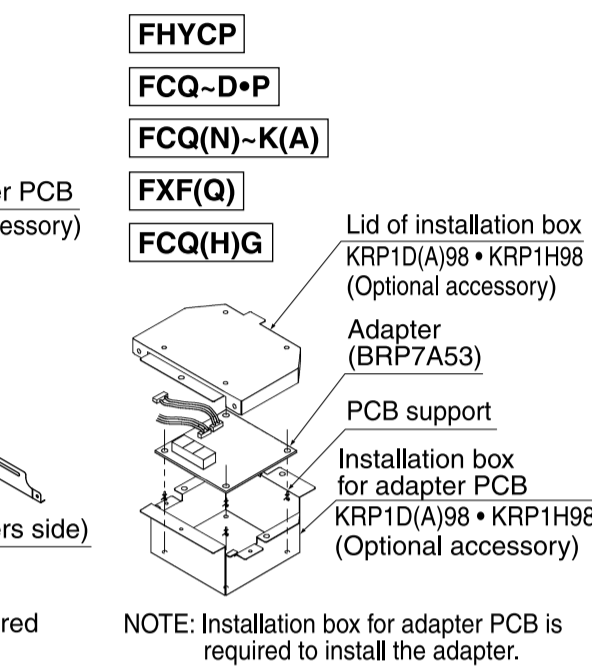
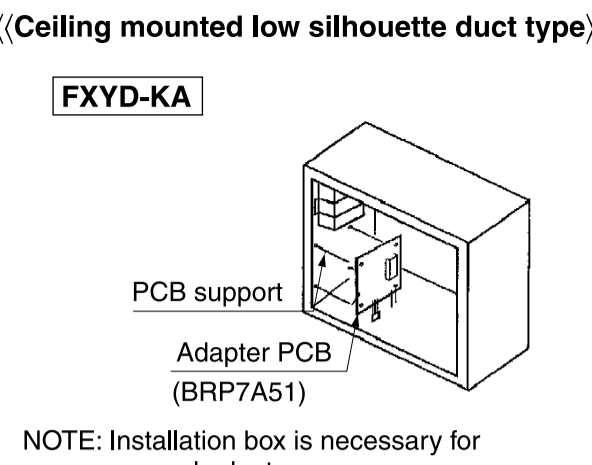
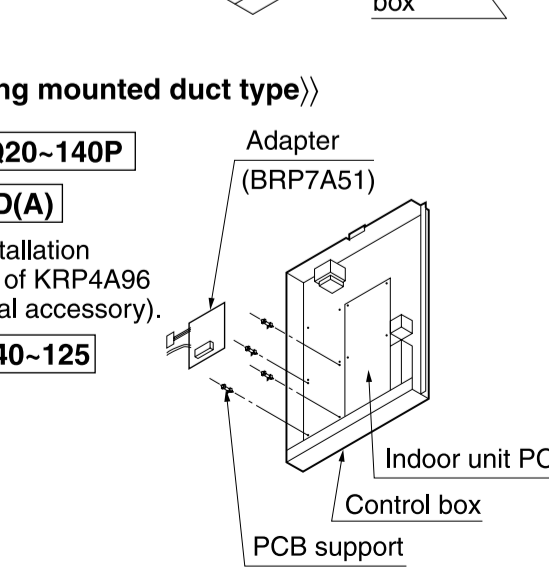
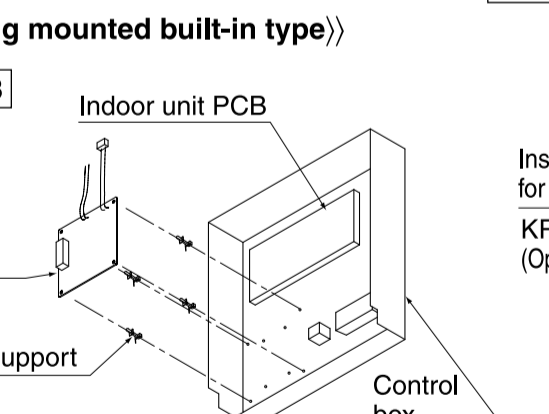
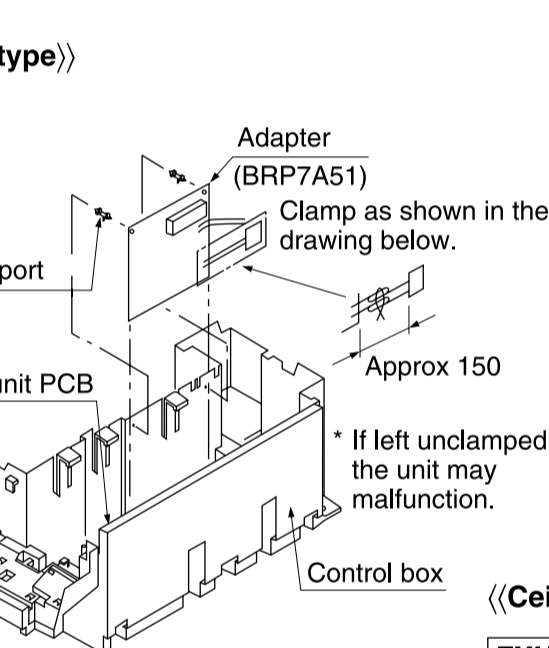
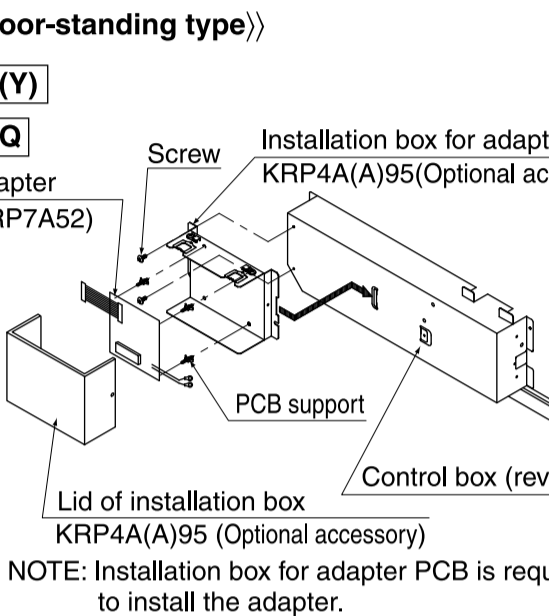
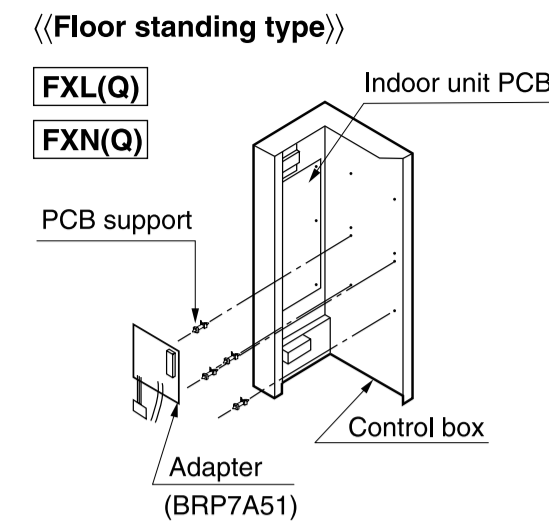
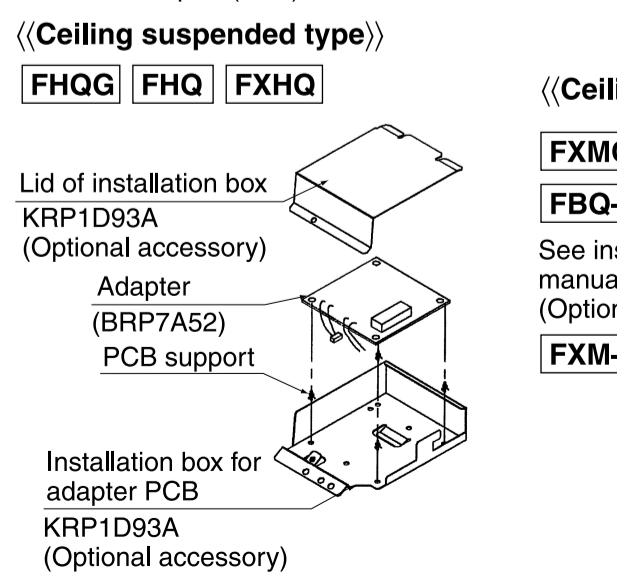
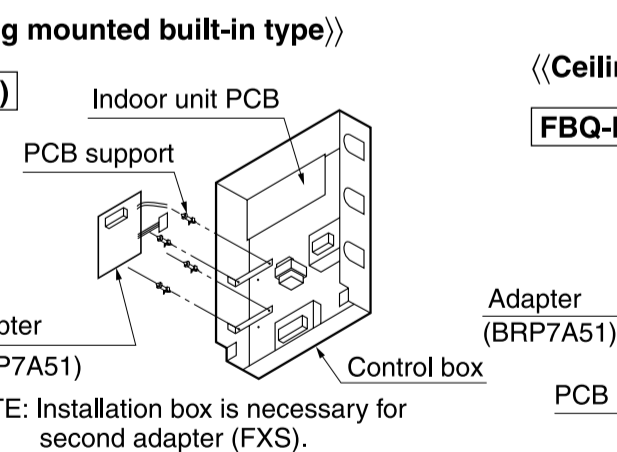
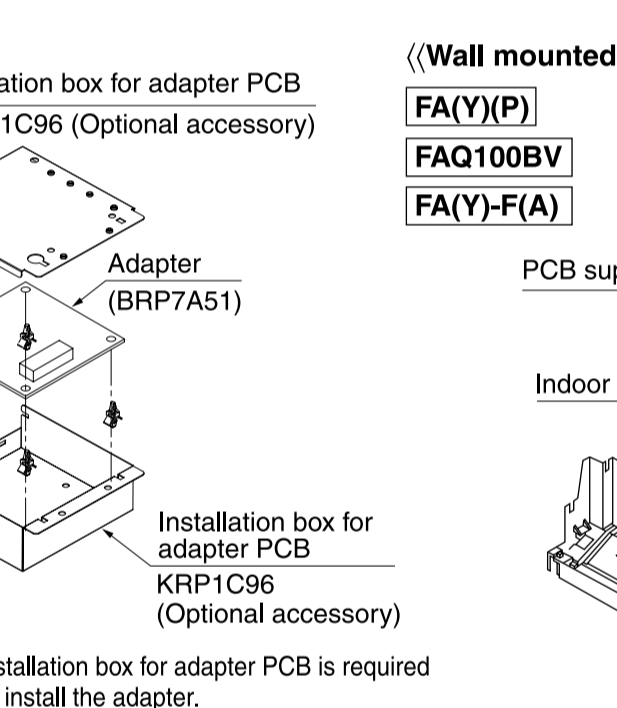
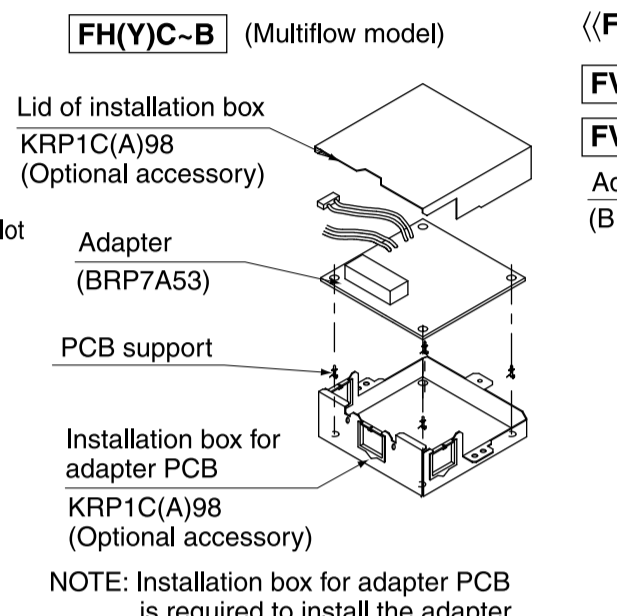
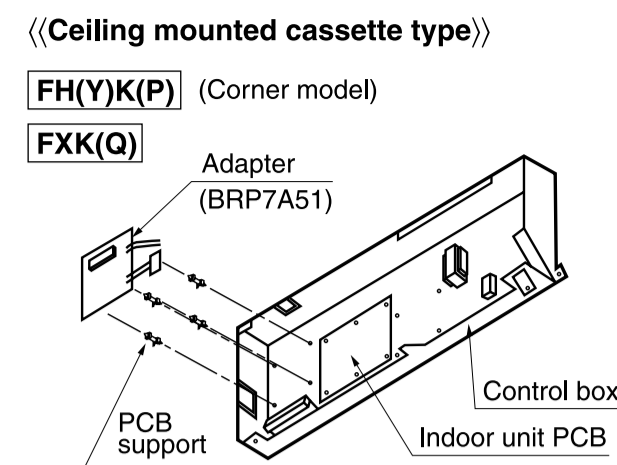
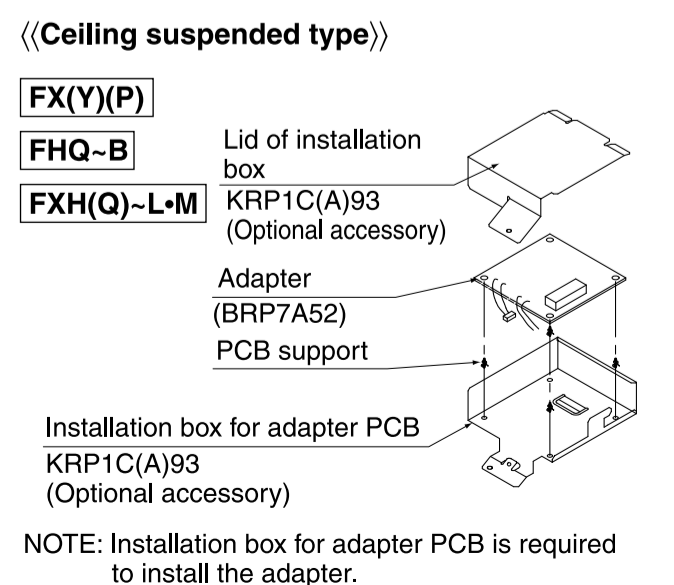
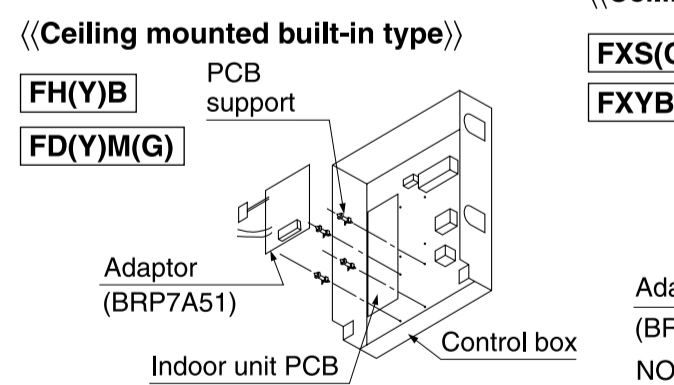
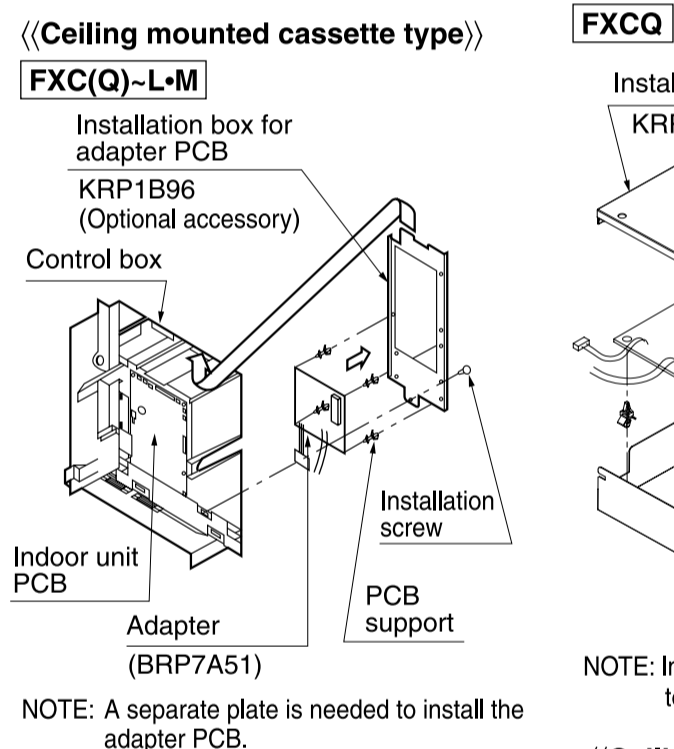
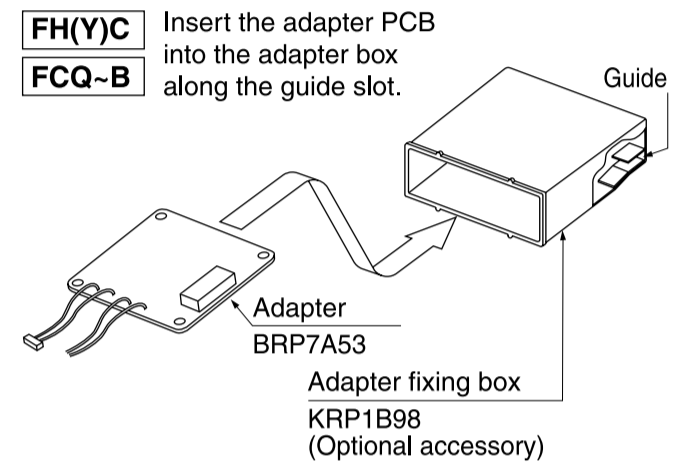
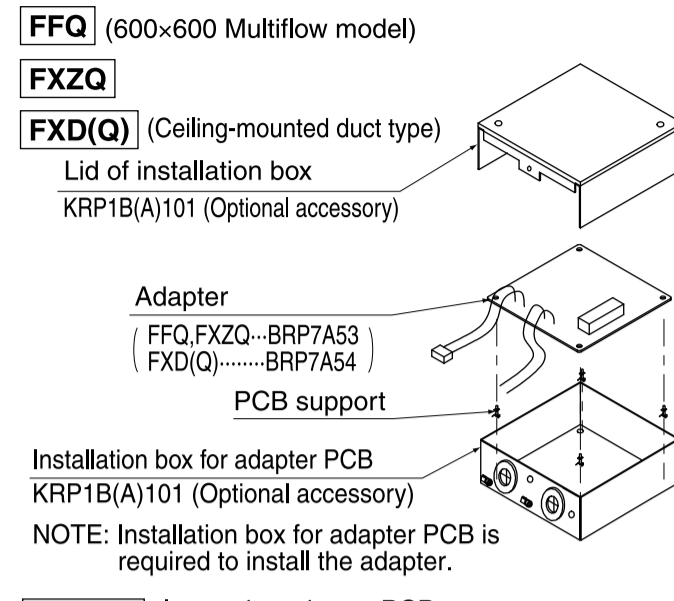
2 NAMES OF PARTS AND FUNCTION



For details, see ELECTRIC WIRING on the rear side.

3 INSTALLATION

«Ceiling mounted cassette type»
«Ceiling mounted duct type»

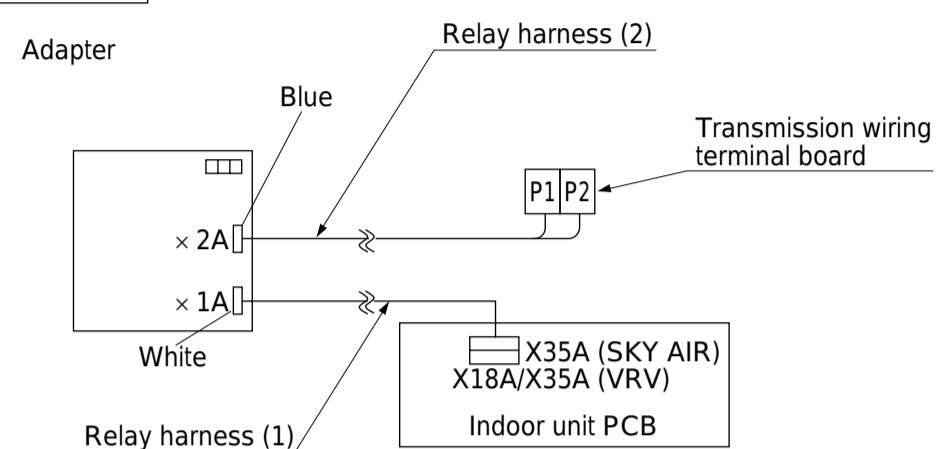


4 ELECTRIC WIRING

① First, do the wiring between the indoor and outdoor units, then to the separate power sources and finally between the indoor units and the remote controllers. Next, check if they operate properly. (When using for group control by a remote controller, avoid cross wiring.) For details, see the installation manual of the indoor and outdoor units.

② Next, do the wiring between outside units such as the central control monitor and adjust the necessary settings. For details, see [Wiring to outside units \(central control monitor\)](#).

Wiring to indoor units



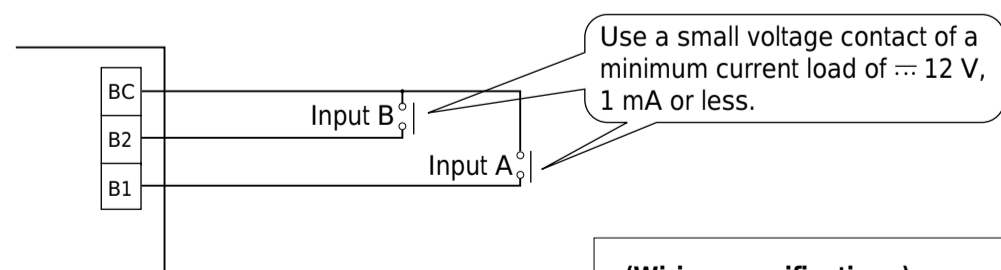
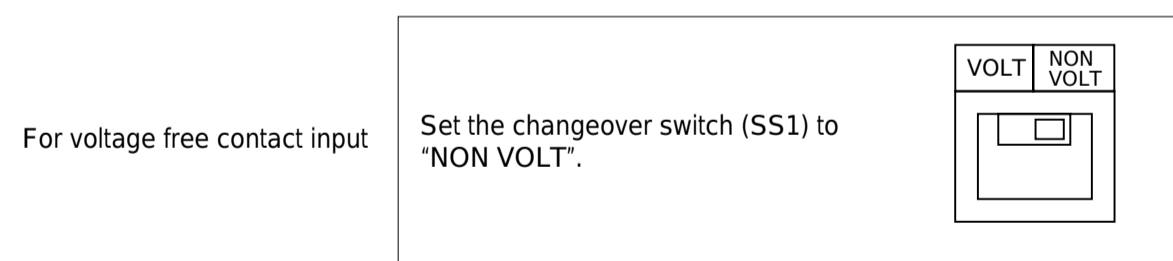
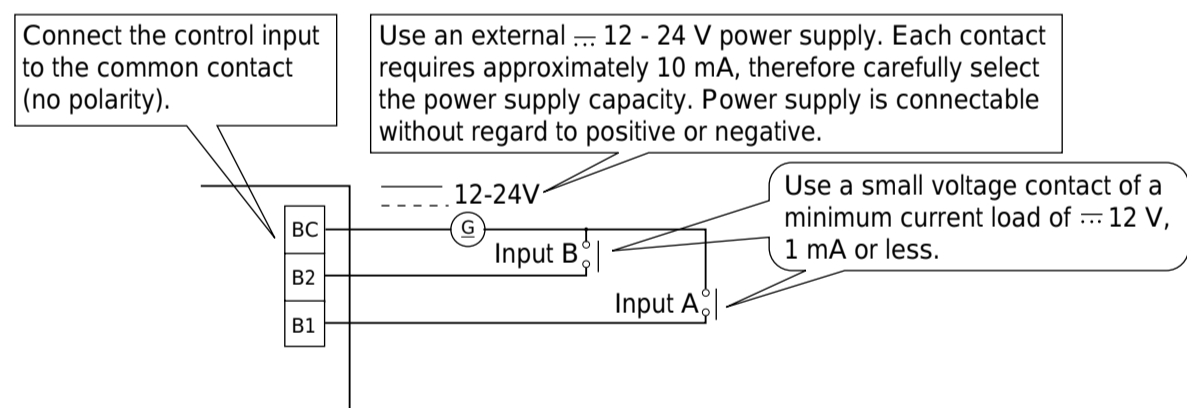
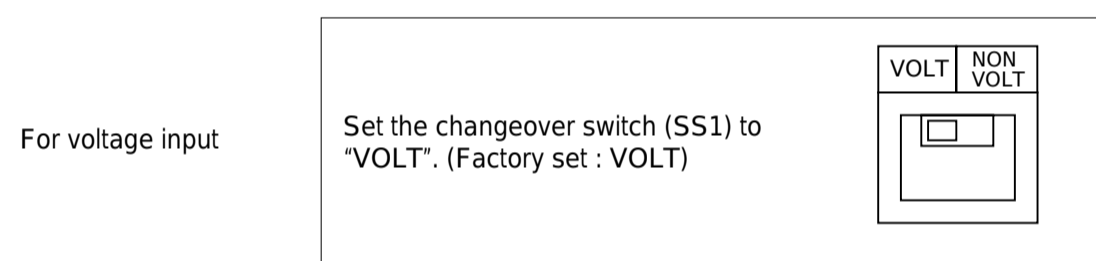
Perform the connections as shown above, using the attached relay harnesses (1) and (2).

- Connect relay harness (1) to the connector (X35A or X18A) on the indoor unit PCB.
- Relay harness (2) has no polarity. Connect it to terminals P1 and P2 on the transmission wiring terminal board inside the indoor unit Electric parts box.

Wiring to outside units (central control monitor)

1. Remote control input (operation control)

Do the wiring as described below. Wiring differs depending on whether a voltage or no-voltage input is used.



(Wiring specifications)

Wiring ... Sheathed vinyl cord or cable
 Wire size ... 0.18 - 1.25 mm²
 Length ... Max. 150 m

(NOTE)

Keep transmission wiring away from power supply wiring to avoid malfunctions.

2. External input logic (for interlock function of hotel room)

Connect the external inputs in accordance with the following specification.

Connection specification of External inputs

Control terminal	Input name	External input logic	
		Status	Contact State
B1/BC	Input A	Windows CLOSE	close
		Windows OPEN	open
B2/BC	Input B	Key Card IN	close
		Key Card OPEN	open