



4P564849-1

Daikin Air Conditioner Fresh air intake kit
(without duct fan)

KDDP55D160-2

Installation manual

READ THESE INSTRUCTIONS CAREFULLY BEFORE INSTALLATION.
KEEP THIS MANUAL IN A HANDY PLACE FOR FUTURE REFERENCE.

Caution

Before starting the installation work, carefully read the following safety precautions and observe them to ensure safety during work.

- Make sure to use the attached or specified components to install the products. Otherwise, it may cause air leak or the product may fall.
- After installation, check whether there is no abnormality during the trial operation.

Combination table

Kit name	Applicable indoor unit name and panel name	
		Model
KDDP55D160-2	SPLIT	FCAG-B, FCAHG-H, FXFQ-B
	Decoration panel	BYCQ140-E

Remarks

- This kit can be installed on the ceiling mounted cassette type air conditioner.
- Before installation, confirm the indoor unit name with reference to the table above.
- Please refer to the installation manual for the indoor unit as well as the mounting procedure for the decoration panel during the installation.
- When mounting a duct fan, make sure to use a wiring adaptor (EKRP1C12) and link it with the indoor unit fan.

CAUTION

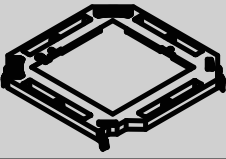
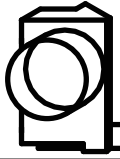
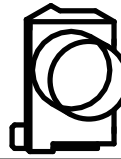






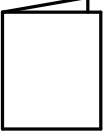
Control the intake air flow volume of the indoor unit so it is less than 10% slower.

- Be sure to install the attached sensor assembly.
- The recommended duct for on-site connection is shown in the table below.

Part name	Part number
Flexible duct (Normal diameter D150)	K-FDS151D (1m) K-FDS153D (3m) K-FDS152D (2m) K-FDS154D (4m)

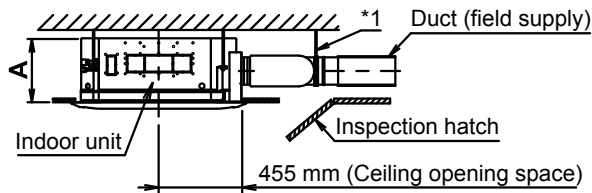
Components

Check if the following parts are included with your kit. (Shaded part is separately packed.)

Name	Suction chamber	Connecting chamber (Left)	Connection chamber (Right)	Sealing material	Desiccant tape
Shape					
Quantity	1	1	1	2	2
Name	Screw	Sensor assembly	Clamp	Screw (for sensor)	Installation manual (This manual)
Shape	 M5×12				
Quantity	4	1	2	1	1

1. Selection of location and access door

(1) Refer to the following figure to select the mounting position (unit: mm).

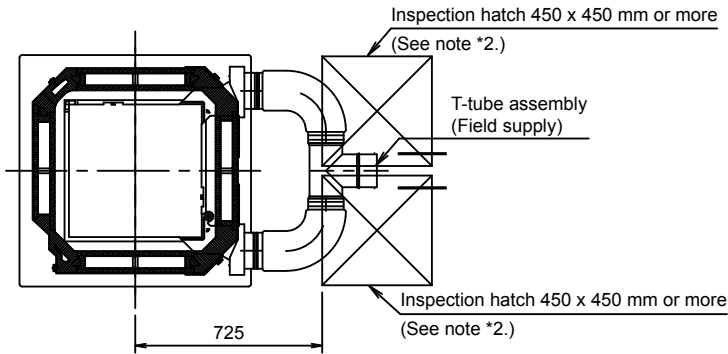


*1. Hang and fix the T-tube assembly for installation. The load of the T-tube assembly may create a clearance between the indoor unit and suction chamber.

*2. Install the inspection hatch (450 x 450 mm or more). Either one of the inspection hatches must be installed.

Indoor unit	Standard Decoration panel	Designer Decoration panel
SPLIT	A (mm)	
FCAG35-71B	264	306
FXFQ20-63B		
FCAG100-140B	306	348
FXFQ80-100B		
FCAHG71-140H	348	390
FXFQ125B		

(2) Install the inspection hatch (unit: mm).



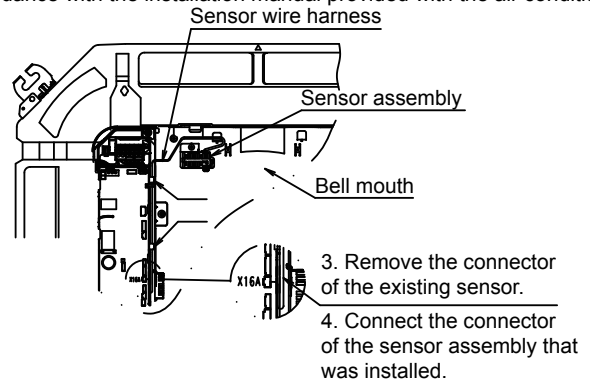
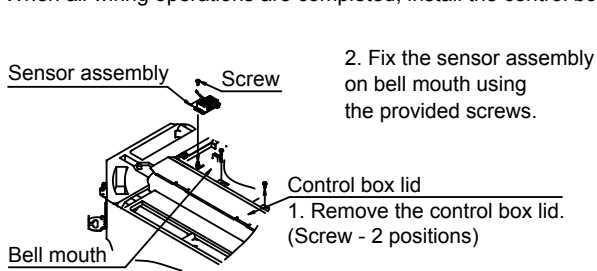
2. Installation of sensor assembly and suction chamber

When the indoor unit is already installed, perform the following operations in accordance with the precautions below.

- Make sure to turn off the power supply before starting the operation.
- Remove the decoration panel from the indoor unit. (For details, please refer to the installation manual provided with the decoration panel.)

Installation of sensor assembly

1. Refer to the installation manual of the indoor unit, remove the control box lid of indoor unit.
2. Install the sensor assembly on bell mouth of the indoor unit using the provided screws.
3. Remove the connector (X16A) of the existing sensor from the printed circuit board of the indoor unit.
4. Connect the wire harness of the sensor assembly that was attached to the indoor unit to the connector (X16A) on the printed circuit board of the indoor unit.
5. Use the provided clamps to fix the wire harness (to the other wire harness) as shown in the figure below.
6. When all wiring operations are completed, install the control box lid in accordance with the installation manual provided with the air conditioner.



Installation of suction chamber

The figure shows the installation procedure for a new indoor unit.

1. Adhere the desiccant tape to the corner air outlet sealing material, and then attach them to the air outlet of the indoor unit. (2 positions) Fig.1, Fig.2.
2. Install the suction chamber on the indoor unit using hooks (4 positions). Fig.3, Fig.5.
3. Fix the hooks at the four positions with reference to Fig.4.
4. Install the indoor unit and suction chamber while aligning their contours. Fig.4, Fig.6.

Fig.1 Air outlet

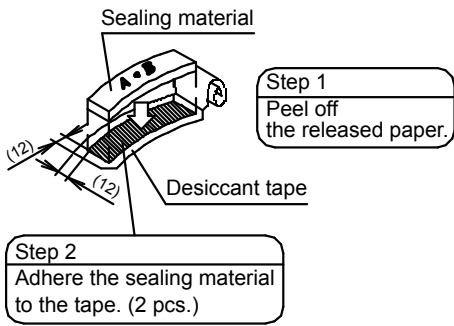


Fig.3

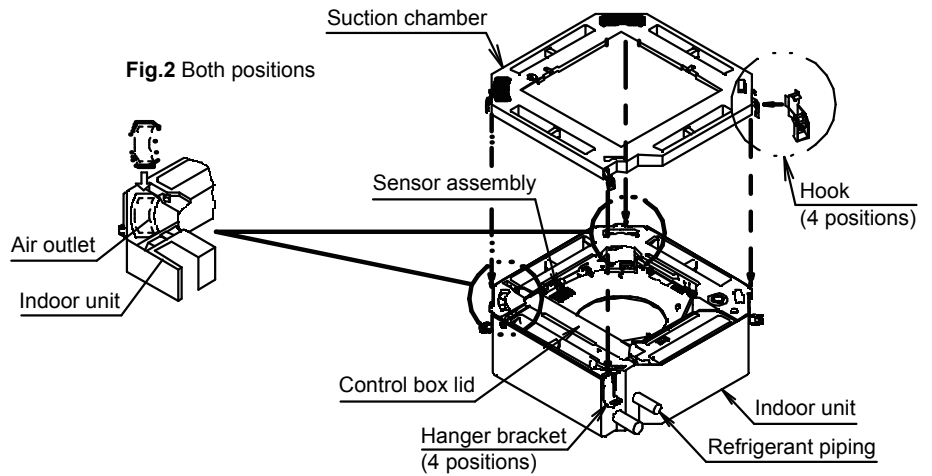


Fig.2 Both positions

Fig.4 Installation

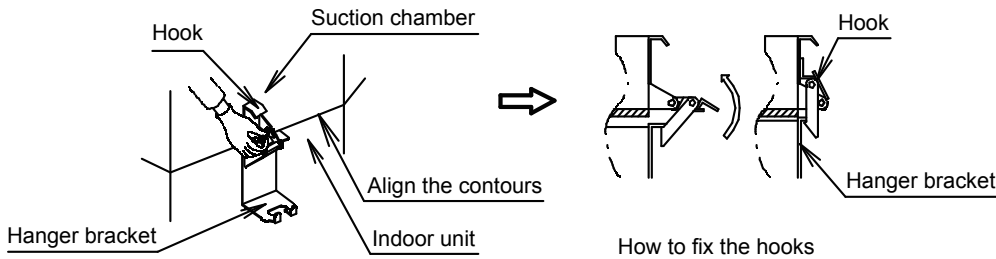


Fig.5 After installation

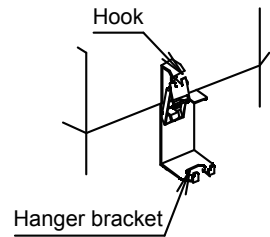
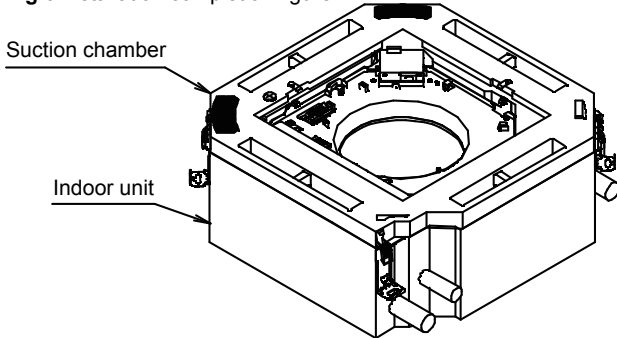
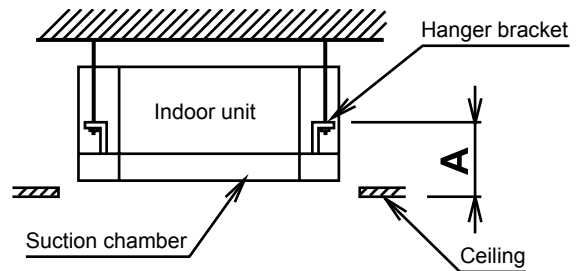


Fig.6 Installation completion figure



3. Installation of indoor unit and suction chamber

- Install the indoor unit and suction chamber. For installation, follow the installation manual provided with the indoor unit (Please refer to the right figure for the installation height.).
- To install the suction chamber on an existing indoor unit, change the installation height of the indoor unit to A in the right figure.



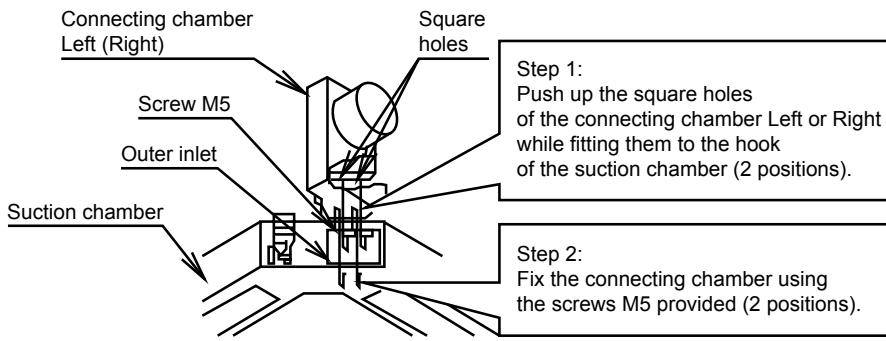
Standard Decoration panel	A=185 mm
Designer Decoration panel	A=227 mm

4. Installation of connecting chamber and connection of flexible duct

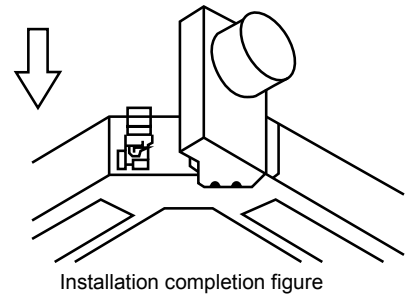
Install the connecting chambers. (One chamber on both sides, 2 in total) Fig.7.

1. Push up the square holes of the connecting chamber (Left) or (Right) while fitting them onto the hook (tab) of the suction chamber (2 positions).
2. Fix the connecting chamber using the screws M5 provided. (2 positions).

Fig.7 Installation of connecting chamber (this figure shows the left connecting chamber.)



Installation of connecting chamber (this figure shows the left connecting chamber)



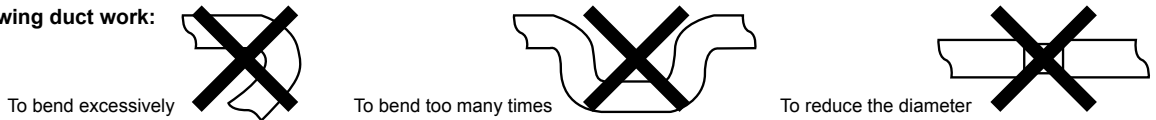
5. Duct connection <Duct: diameter Ø150>

1. Connect duct to the connecting chamber.
(Insert duct to the end of the connecting chamber's tube portion.)
2. Tie the connected portions with band and wrap with tape to prevent air leak.
3. Insulate the duct to prevent condensate.
4. Make sure that the T-tube is hanged, fixed and sealed properly. Otherwise, air leakage may occur.

CAUTION

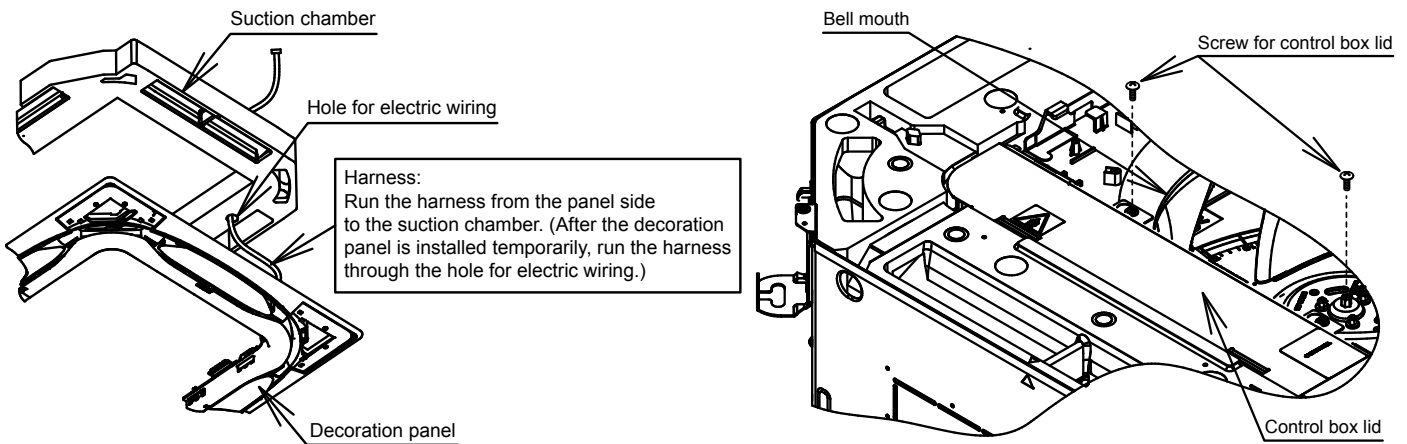
- Follow the applicable local legislation or regulation to install the duct.
- In case that metal duct is penetrated through wooden wall, make sure the duct and the wall are electrically insulated.
- At the outdoor side, install the duct inclined downwardly so that the rain will not get into the duct. (Inclination 1/100~1/50)
- Where it contacts the outside air, make sure to install screen to avoid birds, small animals or insects getting inside the duct.
- Where it contacts the outside air, make sure to install air filter to protect heat exchanger for indoor unit.

Do not perform the following duct work:



6. Installation of decoration panel and suction chamber

- After the decoration panel is installed temporarily, install the harness running from the decoration panel through the hole for the electric wiring of the suction chamber. Tight wire harness of the swing motor and wire harness of the sensor together with the clamp.
- Install the decoration panel in accordance with the installation manual provided with the decoration panel (Remove the control box lid.)
- After the wire harness is installed, install the control box lid. During installation, be careful the wiring is not caught.



Wireless air conditioners

- For details of the connection procedure, please refer to the installation manual provided with the wireless remote controller kit (provided separately)

DAIKIN INDUSTRIES CZECH REPUBLIC s.r.o.

U Nové Hospody 1/1155, 301 00 Plzeň Skvrňany, Czech Republic

DAIKIN EUROPE N.V.

Zandvoordestraat 300, B-8400 Oostende, Belgium